

Adjustable Angle Bimetal Thermometer



B85606 pictured

3" & 5" Dial Sizes

±1.0% Accuracy

Stainless Steel Case & Stem

External Reset

The Trerice Adjustable Angle Bimetal Thermometer can be configured to the most desirable viewing angle. This instrument has a hermetically sealed, stainless steel case designed to withstand the rigors of industrial environments, while producing an accurate, responsive measurement.

Optional features are also available. Please consult the Options Section for details.

For applications where the process media may be corrosive or contained under pressure, the use of a thermowell is required to prevent damage to the thermometer and facilitate its removal from the process. For correct use and application of all bimetallic thermometers, please refer to Bimetallic Actuated Thermometer Standard ASME B40.3.

Specifications

Models

B83600, B85600

Size

B83600: 3"

B85600: 5"

Case

300 stainless steel, hermetically sealed

Stem

300 stainless steel, 1/4" diameter

Coil

Bimetallic, silicone dampened on ranges to 300°F (148°C), above 300°F not dampened

Connection

Adjustable angle, 1/2 NPT

Window

Double strength glass

Pointer

Balanced, black finished

Dialface

Aluminum, white background with black and blue graduations and markings

External Reset

Yes

Accuracy

±1.0% Full Scale ASME B40.3 Grade A

Approximate Shipping Weight

B83600: 1.1 lbs [0.5 kg]

B85600: 1.5 lbs [0.68 kg]

How to Order

Sample Order Number B8560605

B856

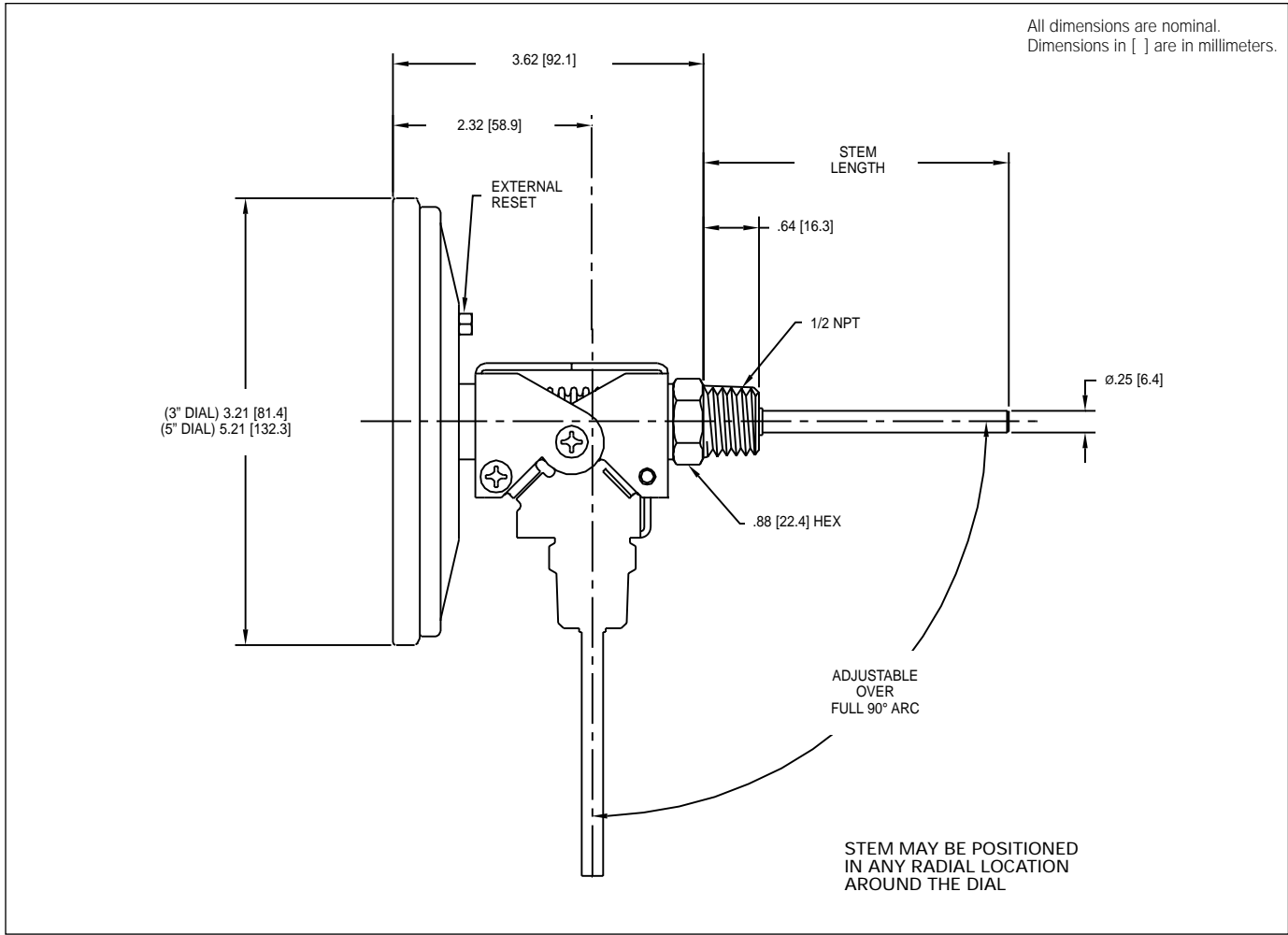
06

05

Model	Stem Length	Range Code
B836	02 2 1/2" Stem	See Standard
B856	04 4" Stem	Available Ranges (over)
	06 6" Stem	
	09 9" Stem	
	12 12" Stem	
	15 15" Stem	
	18 18" Stem	
	24 24" Stem	

Other: Specify Length in Inches (72" maximum)

Adjustable Angle Bimetal Thermometer



Standard Available Ranges

Dual Scale Ranges		Fahrenheit Only Ranges		Celsius Only Ranges		Fahrenheit		Celsius	
Range Code	Range	Range Code	Range	Range Code	Range	Figure Intervals	Minor Divisions	Figure Intervals	Minor Divisions
01	-100° to 100°F & -75° to 40°C	01F	-100° to 100°F	01C	-75° to 40°C	20°	2°	10°	1°
02	-40° to 160°F & -40° to 70°C	02F	-40° to 160°F	02C	-40° to 70°C	20°	2°	10°	1°
03*	25° to 125°F & -5° to 50°C	03F*	25° to 125°F	03C*	-5° to 50°C	10°	1°	5°	1/2°
04	0° to 200°F & -20° to 95°C	04F	0° to 200°F	04C	-20° to 95°C	20°	2°	10°	1°
05	20° to 240°F & -10° to 115°C	05F	20° to 240°F	05C	-10° to 115°C	20°	2°	10°	1°
27	0° to 250°F & -20° to 120°C	27F	0° to 250°F	27C	-20° to 120°C	50°	2°	20°	2°
06	50° to 300°F & 10° to 150°C	06F	50° to 300°F	06C	10° to 150°C	50°	2°	20°	2°
07	50° to 400°F & 10° to 200°C	07F	50° to 400°F	07C	10° to 200°C	50°	5°	50°	2°
08	50° to 500°F & 10° to 260°C	08F	50° to 500°F	08C	10° to 260°C	50°	5°	50°	2°
09*	150° to 750°F & 50° to 400°C	09F*	150° to 750°F	09C*	50° to 400°C	100°	10°	50°	5°
10*	200° to 1000°F & 100° to 550°C	10F*	200° to 1000°F	10C*	100° to 550°C	100°	10°	100°	5°

*Minimum stem length for these ranges is 4".