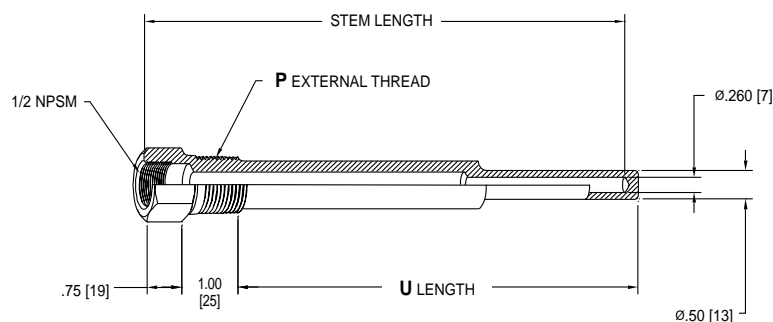


Bimetal Thermowells – Threaded

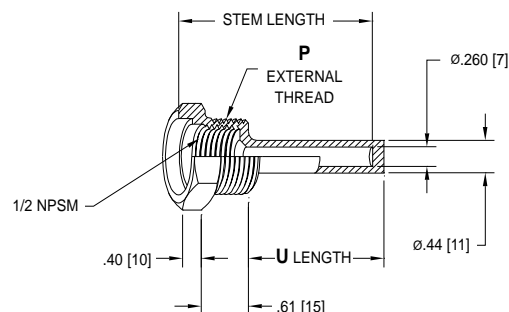
Stepped Shank for Bimetal Thermometers, Thermocouples, RTDs

All dimensions are nominal.
Dimensions in [] are in millimeters.

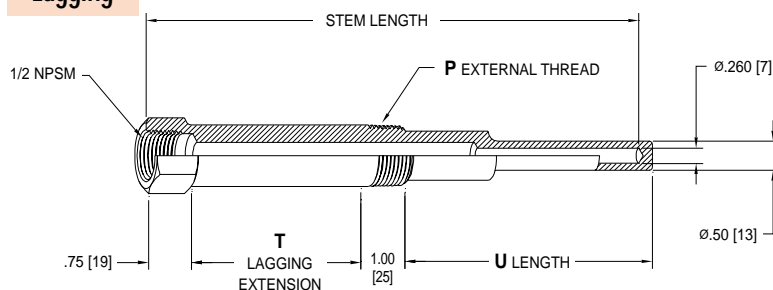
Standard



2 1/2" only



Lagging



Lengths

Stem Length	Standard Thermowell U Length	Lagging Extension Thermowell T Lagging	U Length
2 1/2"	1.75 [44]	—	—
4"	2.50 [64]	1.00 [25]	1.50 [38]
6"	4.50 [114]	2.00 [51]	2.50 [64]
9"	7.50 [191]	3.00 [76]	4.50 [114]
12"	10.50 [267]	3.00 [76]	7.50 [191]
15"	13.50 [343]	3.00 [76]	10.50 [267]
18"	16.50 [419]	3.00 [76]	13.50 [343]
24"	22.50 [572]	3.00 [76]	19.50 [495]

Pressure Rating (psi)

Material	Operating Temperature					
	70°F	200°F	400°F	600°F	800°F	1000°F
Brass	5000	4200	1000	—	—	—
Carbon steel	5200	5000	4800	4600	3500	1500
304 stainless steel	7000	6200	5600	5400	5200	4500
316 stainless steel	7000	7000	6400	6200	6100	5100
Monel	6500	6000	5400	5300	5200	1500

Alternative materials and accessories are also available. Please consult the Options and Accessories Section for details.

Selection of the proper thermowell is the sole responsibility of the user. Temperature and pressure limitations must be considered. Improper application may cause failure of the thermowell, resulting in possible personal injury or property damage.

How to Order

Sample Order Number: 76-4J6

Thermowell Style	External Thread (P)	Stem Length	Lagging Extension (T)	Material
76 Bimetal, Stepped Shank	3 1/2 NPT*	D 2 1/2" Stem	A 1" Extension (4" Stem only)	2 Brass
78 Bimetal, Straight Shank (2 1/2" Stem only)	4 3/4 NPT	G 4" Stem	C 2" Extension (6" Stem only)	3 Steel
	5 1 NPT	J 6" Stem	E 3" Extension (9" and longer Stem only)	4 Monel
		M 9" Stem	Omit if None	5 304SS
		R 12" Stem		6 316SS
		V 15" Stem		
		Wa 18" Stem		
		Wk 24" Stem		

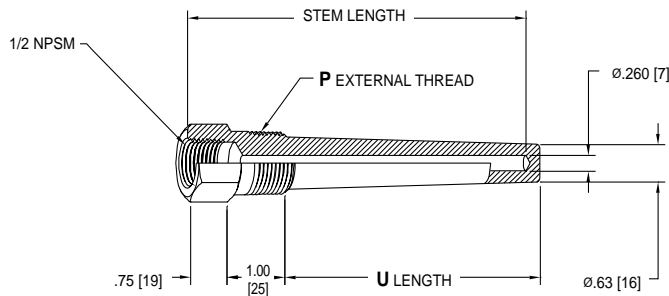
*Not available with 2 1/2" Stem Length

Bimetal Thermowells – Heavy Duty Threaded

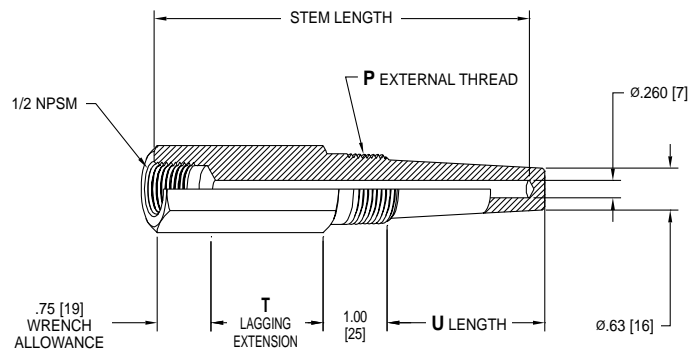
Tapered Shank for Bimetal Thermometers, Thermocouples, RTDs

All dimensions are nominal.
Dimensions in [] are in millimeters.

Standard



Lagging



Lengths

Stem Length	Standard Thermowell	Lagging Extension Thermowell	
	U Length	T Lagging	U Length
4"	2.50 [64]	1.00 [25]	1.50 [38]
6"	4.50 [114]	2.00 [51]	2.50 [64]
9"	7.50 [191]	3.00 [76]	4.50 [114]
12"	10.50 [267]	3.00 [76]	7.50 [191]
15"	13.50 [343]	3.00 [76]	10.50 [267]
18"	16.50 [419]	3.00 [76]	13.50 [343]
24"	22.50 [572]	3.00 [76]	19.50 [495]

Pressure Rating (psi)

Material	Operating Temperature					
	70°F	200°F	400°F	600°F	800°F	1000°F
Brass	5300	4750	1100	—	—	—
Carbon steel	5950	5750	5450	5250	4000	1750
304 stainless steel	7800	7050	6400	6150	6000	5190
316 stainless steel	7800	7800	7250	7100	6950	5800
Monel	7450	6850	6150	6100	5940	—

Alternative materials and accessories are also available. Please consult the Options and Accessories Section for details.

Selection of the proper thermowell is the sole responsibility of the user. Temperature and pressure limitations must be considered. Improper application may cause failure of the thermowell, resulting in possible personal injury or property damage.

How to Order

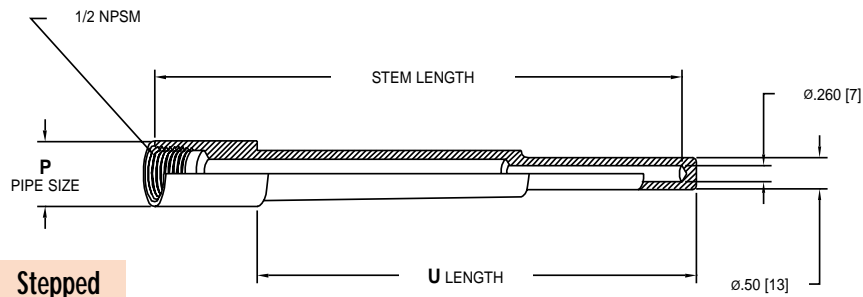
Sample Order Number: 90-4G4
90 4 G 4

Thermowell Style	External Thread (P)	Stem Length	Lagging Extension (T)	Material
90 Bimetal, Tapered Shank	4 3/4 NPT	G 4" Stem	C 2" Extension (6" Stem only)	2 Brass
	5 1 NPT	J 6" Stem	E 3" Extension (9" and longer Stem only)	3 Steel
		M 9" Stem	Omit if None	4 Monel
	R 12" Stem	5 316SS		
	V 15" Stem	6 316SS		
	Wa 18" Stem			
Wk 24" Stem				

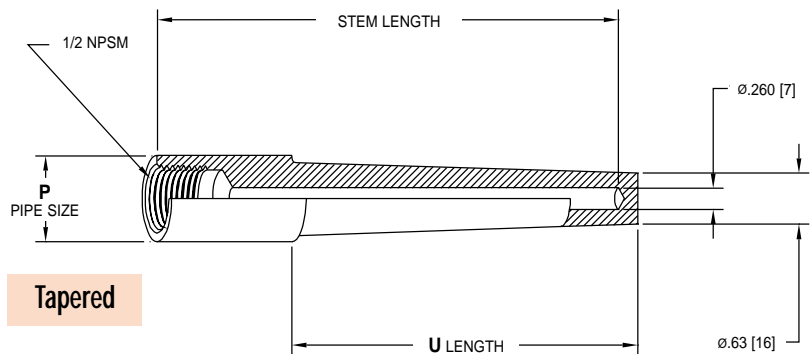
Bimetal Thermowells – Socket-Weld

for Bimetal Thermometers, Thermocouples, RTDs

All dimensions are nominal.
Dimensions in [] are in millimeters.



Stepped



Tapered

Lengths

Stem Length	U Length
4"	2.50 [64]
6"	4.50 [114]
9"	7.50 [191]
12"	10.50 [267]
15"	13.50 [343]
18"	16.50 [419]
24"	22.50 [572]

Other Dimensions

Nominal Pipe Size	Actual Diameter P
3/4"	1.050 [23.67]
1"	1.315 [33.40]

Pressure Rating (psi)

Material	Operating Temperature						
	70°F	200°F	400°F	600°F	800°F	1000°F	
Stepped Shank	Carbon Steel	5200	5000	4800	4600	3500	1500
	304 Stainless Steel	7000	6200	5600	5400	5200	4500
	316 Stainless Steel	7000	7000	6400	6200	6100	5100
Tapered Shank	Carbon Steel	5950	5750	5450	5250	4000	1750
	304 Stainless Steel	7800	7050	6400	6150	6000	5190
	316 Stainless Steel	7800	7800	7250	7100	6950	5800

Alternative materials and accessories are also available. Please consult the Options and Accessories Section for details.

Selection of the proper thermowell is the sole responsibility of the user. Temperature and pressure limitations must be considered. Improper application may cause failure of the thermowell, resulting in possible personal injury or property damage.

How to Order

Sample Order Number: 90-S5M6
90

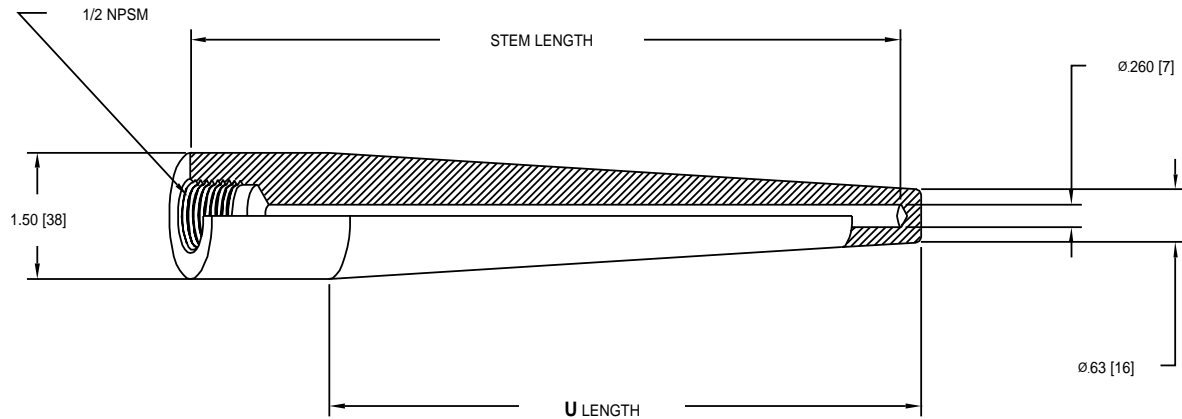
Thermowell Style	Nominal Pipe Size (P)	Stem Length	Material
76 Bimetal, Stepped Shank	S4 3/4"	G 4" Stem	3 Steel
90 Bimetal, Tapered Shank	S5 1"	J 6" Stem	5 304SS
		M 9" Stem	6 316SS
		R 12" Stem	
		V 15" Stem	
		Wa 18" Stem	
		Wk 24" Stem	

Bimetal Thermowells – Weld-In

for Bimetal Thermometers, Thermocouples, RTDs

All dimensions are nominal.
Dimensions in [] are in millimeters.

Tapered



Lengths

Stem Length	U Length
4"	2.50 [64]
6"	4.50 [114]
9"	7.50 [191]
12"	10.50 [267]
15"	13.50 [343]
18"	16.50 [419]
24"	22.50 [572]

Pressure Rating (psi)

Material	Operating Temperature					
	70°F	200°F	400°F	600°F	800°F	1000°F
Carbon steel	5950	5750	5450	5250	4000	1750
304 stainless steel	7800	7050	6400	6150	6000	5190
316 stainless steel	7800	7800	7250	7100	6950	5800

Alternative materials and accessories are also available. Please consult the Options and Accessories Section for details.

Selection of the proper thermowell is the sole responsibility of the user. Temperature and pressure limitations must be considered. Improper application may cause failure of the thermowell, resulting in possible personal injury or property damage.

How to Order

Sample Order Number: 90-W7V6
90

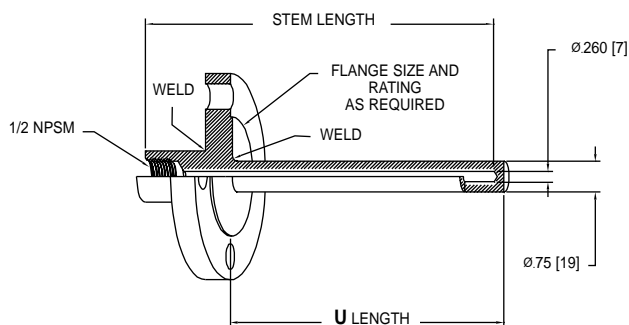
Thermowell Style	—	W7	V	6
Thermowell Style	—	Connection	Stem Length	Material
90 Bimetal, Tapered Shank	W7	1 1/2"	G 4" Stem J 6" Stem M 9" Stem R 12" Stem V 15" Stem Wa 18" Stem Wk 24" Stem	3 Steel 5 304SS 6 316SS

Bimetal Thermowells – Flanged

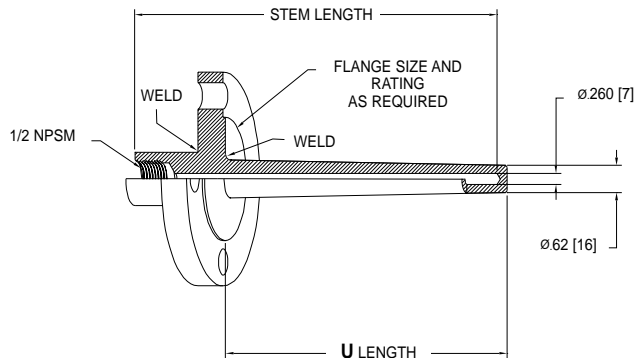
for Bimetal Thermometers, Thermocouples, RTDs

All dimensions are nominal.
Dimensions in [] are in millimeters.

Straight



Tapered



Lengths

Stem Length	U Length
4"	2.00 [51]
6"	4.00 [102]
9"	7.00 [178]
12"	10.00 [254]
15"	13.00 [330]
18"	16.00 [406]
24"	22.00 [559]

Maximum Flange Pressure Rating (psi)

Material	Operating Temperature						
	70°F	200°F	400°F	600°F	800°F	1000°F	1125°F
Carbon steel	UP	UP	UP	TO	2500		
304 stainless steel	UP	UP	UP	TO	2500		
316 stainless steel	UP	UP	UP	TO		2500	
Monel	UP	UP	UP	TO	2500		

Alternative materials and accessories are also available. Please consult the Options and Accessories Section for details.

Selection of the proper thermowell is the sole responsibility of the user. Temperature and pressure limitations must be considered. Improper application may cause failure of the thermowell, resulting in possible personal injury or property damage.

How to Order

Sample Order Number: 78-81J6
78

Thermowell Type	Flange Size and Rating	Stem Length	Material
78 Bimetal, Straight Shank	51 1" 150# RFF	G 4" Stem	3 Steel
90 Bimetal, Tapered Shank	71 1 1/2" 150# RFF	J 6" Stem	4 Monel
	81 2" 150# RFF	M 9" Stem	5 304SS
	181 3" 150# RFF	R 12" Stem	6 316SS
	53 1" 300# RFF	V 15" Stem	
	73 1 1/2" 300# RFF	Wa 18" Stem	
	83 2" 300# RFF	Wk 24" Stem	
	183 3" 300# RFF		
	56 1" 600# RFF		
	76 1 1/2" 600# RFF		
	86 2" 600# RFF		
	186 3" 600# RFF		

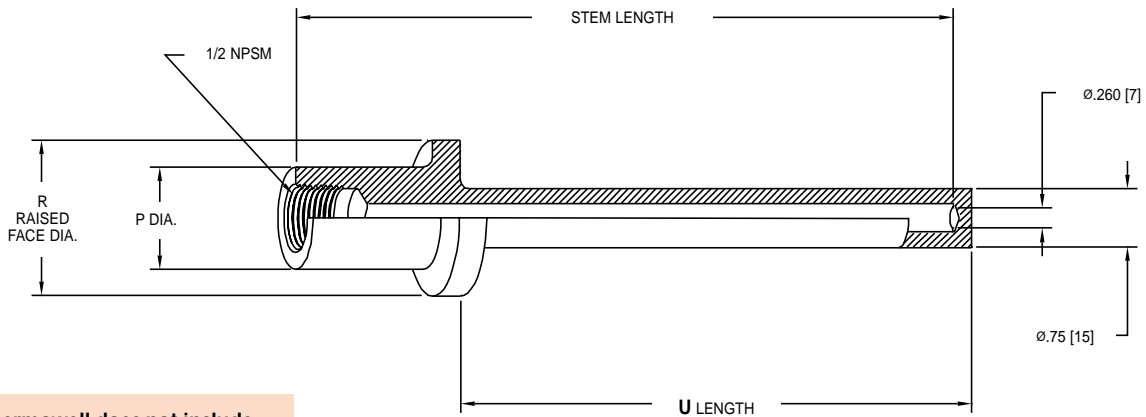
Other Flange Sizes and Ratings available; consult factory.

Bimetal Thermowells – Van Stone

for Bimetal Thermometers, Thermocouples, RTDs

All dimensions are nominal.
Dimensions in [] are in millimeters.

Straight



Thermowell does not include backing flange; when required, a carbon steel backing flange can be supplied. Consult factory.

Lengths

Stem Length	U Length
4"	2.00 [51]
6"	4.00 [102]
9"	7.00 [178]
12"	10.00 [254]
15"	13.00 [330]
18"	16.00 [406]
24"	22.00 [559]

Other Dimensions

Nominal Pipe Size	Actual Diameter P	Raised Face Diameter R
1"	1.32 [33]	2.00 [51]
1 1/2"	1.90 [48]	2.88 [73]

Pressure Rating (psi)

Material	Operating Temperature					
	70°F	200°F	400°F	600°F	800°F	1000°F
Carbon steel	5200	5000	4800	4600	3500	1500
304 stainless steel	7000	6200	5600	5400	5200	4500
316 stainless steel	7000	7000	6400	6200	6100	5100
Monel	6500	6000	5400	5300	5200	—

Alternative materials and accessories are also available. Please consult the Options and Accessories Section for details.

Selection of the proper thermowell is the sole responsibility of the user. Temperature and pressure limitations must be considered. Improper application may cause failure of the thermowell, resulting in possible personal injury or property damage.

How to Order

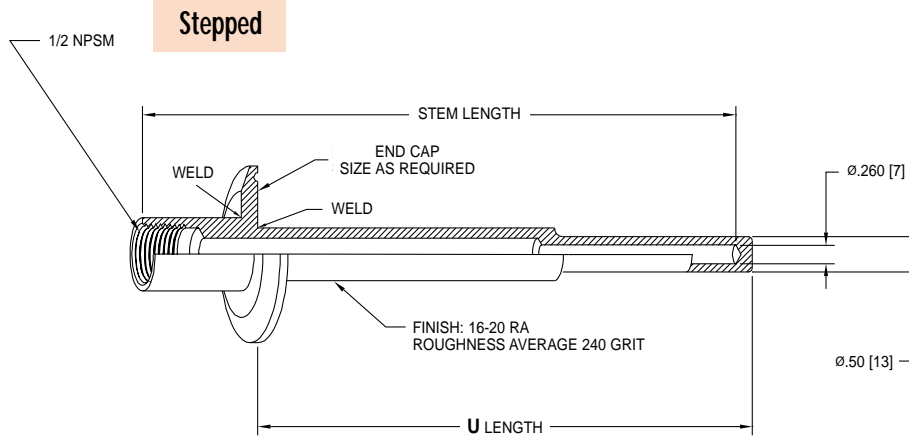
Sample Order Number: 78-V7R6

78	V7	R	6
Thermowell Type	Nominal Pipe Size (P)	Stem Length	Material
78 Bimetal, Straight Shank	V5 1"	G 4" Stem	3 Steel
	V7 1 1/2"	J 6" Stem	4 Monel
		M 9" Stem	5 304SS
		R 12" Stem	6 316SS
		V 15" Stem	
		Wa 18" Stem	
		Wk 24" Stem	

Bimetal Thermowells – Sanitary

for Bimetal Thermometers, Thermocouples, RTDs

All dimensions are nominal.
Dimensions in [] are in millimeters.



Lengths

Stem Length	U Length
4"	2.50 [64]
6"	4.50 [114]
9"	7.50 [191]
12"	10.50 [267]
15"	13.50 [343]
18"	16.50 [419]
24"	22.50 [572]

Designed to meet 3A Dairy Certification requirements.

Pressure ratings are dependent upon the clamps, gaskets and ferrules used, which are not supplied by Trerice.

Alternative materials and accessories are also available. Please consult the Options and Accessories Section for details.

Selection of the proper thermowell is the sole responsibility of the user. Temperature and pressure limitations must be considered. Improper application may cause failure of the thermowell, resulting in possible personal injury or property damage.

How to Order

Sample Order Number: 76-T8M6
76

Thermowell Type	—	T8	M	6	
	End Cap Size	Stem Length	Material		
76 Bimetal, Stepped Shank	T7	1 1/2"	G	4" Stem	5 304SS
	T8	2"	J	6" Stem	6 316SS
	T18	3"	M	9" Stem	
			R	12" Stem	
			V	15" Stem	
			Wa	18" Stem	
			Wk	24" Stem	