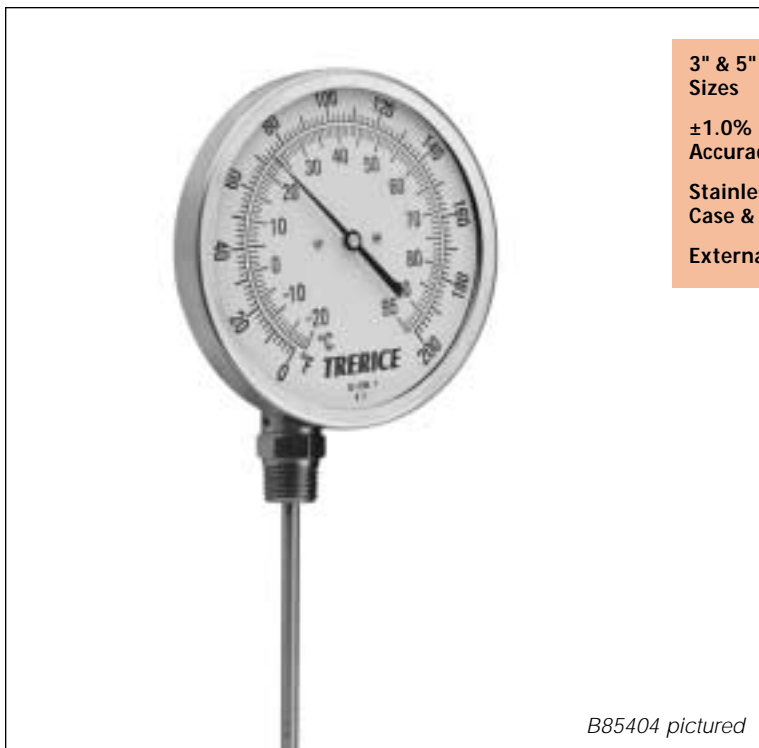


# Bottom Connection Bimetal Thermometer



3" & 5" Dial Sizes

±1.0% Accuracy

Stainless Steel Case & Stem

External Reset

The Terrice Bottom Connection Bimetal Thermometer has been designed to meet the needs of standard industrial applications and installations. This instrument features a stainless steel, hermetically sealed case, providing weather tight protection.

Optional features are also available. Please consult the Options Section for details.

For applications where the process media may be corrosive or contained under pressure, the use of a thermowell is required to prevent damage to the thermometer and facilitate its removal from the process. For correct use and application of all bimetallic thermometers, please refer to Bimetallic Actuated Thermometer Standard ASME B40.3.

B85404 pictured

## Specifications

|   |   |  |  |
|---|---|--|--|
| <b>Models</b><br>B83400, B85400                         | <b>Stem</b><br>300 stainless steel, 1/4" diameter   | <b>Pointer</b><br>Balanced, black finished   | <b>Accuracy</b><br>±1.0% Full Scale ASME B40.3 Grade A                                       |
| <b>Size</b><br>B83400: 3"<br>B85400: 5"                 | <b>Coil</b><br>Bimetallic, silicone dampened on ranges to 300°F (148°C), above 300°F not dampened | <b>Dialface</b><br>Aluminum, white background with black and blue graduations and markings | <b>Approximate Shipping Weight</b><br>B83400: 0.8 lbs [0.36 kg]<br>B85400: 1.6 lbs [0.72 kg] |
| <b>Case</b><br>300 stainless steel, hermetically sealed | <b>Connection</b><br>Bottom, 1/2 NPT  | <b>External Reset</b><br>Yes   |  |
|   | <b>Window</b><br>Double strength glass  |  |  |

## How to Order

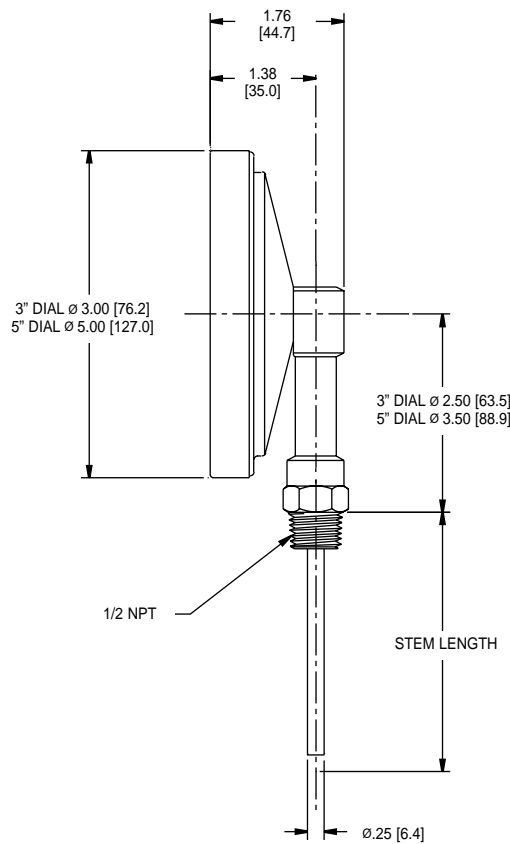
Sample Order Number B8340404  
 B834 04 04

| Model       | Stem Length           | Range Code              |
|-------------|-----------------------|-------------------------|
| <b>B834</b> | <b>02</b> 2 1/2" Stem | See Standard            |
| <b>B854</b> | <b>04</b> 4" Stem     | Available Ranges (over) |
|             | <b>06</b> 6" Stem     |                         |
|             | <b>09</b> 9" Stem     |                         |
|             | <b>12</b> 12" Stem    |                         |
|             | <b>15</b> 15" Stem    |                         |
|             | <b>18</b> 18" Stem    |                         |
|             | <b>24</b> 24" Stem    |                         |

Other: Specify Length in Inches (72" maximum)

# Bottom Connection Bimetal Thermometer

All dimensions are nominal.  
Dimensions in [ ] are in millimeters.



## Standard Available Ranges

| Dual Scale Ranges |                                | Fahrenheit Only Ranges |                | Celsius Only Ranges |               | Fahrenheit      |                | Celsius         |                |
|-------------------|--------------------------------|------------------------|----------------|---------------------|---------------|-----------------|----------------|-----------------|----------------|
| Range Code        | Range                          | Range Code             | Range          | Range Code          | Range         | Figure Interval | Minor Division | Figure Interval | Minor Division |
| 01                | -100° to 100°F & -75° to 40°C  | 01F                    | -100° to 100°F | 01C                 | -75° to 40°C  | 20°             | 2°             | 10°             | 1°             |
| 02                | -40° to 160°F & -40° to 70°C   | 02F                    | -40° to 160°F  | 02C                 | -40° to 70°C  | 20°             | 2°             | 10°             | 1°             |
| 03*               | 25° to 125°F & -5° to 50°C     | 03F*                   | 25° to 125°F   | 03C*                | -5° to 50°C   | 10°             | 1°             | 5°              | 1/2°           |
| 04                | 0° to 200°F & -20° to 95°C     | 04F                    | 0° to 200°F    | 04C                 | -20° to 95°C  | 20°             | 2°             | 10°             | 1°             |
| 05                | 20° to 240°F & -10° to 115°C   | 05F                    | 20° to 240°F   | 05C                 | -10° to 115°C | 20°             | 2°             | 10°             | 1°             |
| 27                | 0° to 250°F & -20° to 120°C    | 27F                    | 0° to 250°F    | 27C                 | -20° to 120°C | 50°             | 2°             | 20°             | 2°             |
| 06                | 50° to 300°F & 10° to 150°C    | 06F                    | 50° to 300°F   | 06C                 | 10° to 150°C  | 50°             | 2°             | 20°             | 2°             |
| 07                | 50° to 400°F & 10° to 200°C    | 07F                    | 50° to 400°F   | 07C                 | 10° to 200°C  | 50°             | 5°             | 50°             | 2°             |
| 08                | 50° to 500°F & 10° to 260°C    | 08F                    | 50° to 500°F   | 08C                 | 10° to 260°C  | 50°             | 5°             | 50°             | 2°             |
| 09*               | 150° to 750°F & 50° to 400°C   | 09F*                   | 150° to 750°F  | 09C*                | 50° to 400°C  | 100°            | 10°            | 50°             | 5°             |
| 10*               | 200° to 1000°F & 100° to 550°C | 10F*                   | 200° to 1000°F | 10C*                | 100° to 550°C | 100°            | 10°            | 100°            | 5°             |

\*Minimum stem length for these ranges is 4".