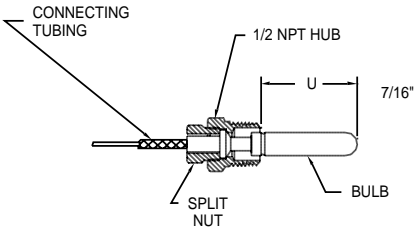
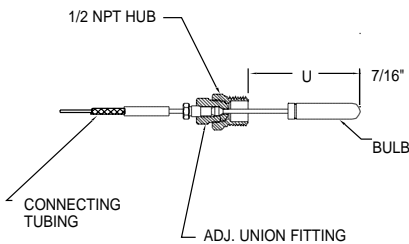
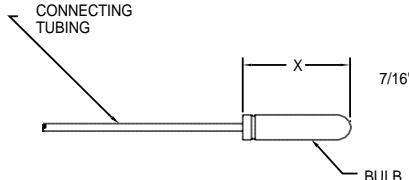
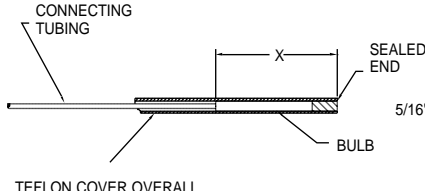




# Temperature Recorders

## Thermal System Selection

### Remote Mounted Thermometers

Bulb and Capillary Style	Order Code	Connection Style & Material	Bulb Material	Capillary Tubing Material
<b>Union Connection</b> 	<b>B01*</b>	Brass, 1/2 NPT	Copper	Copper with Bronze Braided Armor
	<b>B10</b>	Stainless Steel, 1/2 NPT	Stainless Steel	Stainless Steel
	<b>B15*</b>	Brass, 1/2 NPT	Copper	Copper with Bronze Braid and Stainless Steel Spiral Armor
	<b>B16</b>	Stainless Steel, 1/2 NPT	Stainless Steel	Stainless Steel with Stainless Steel Spiral Armor
<b>Adjustable Union Connection</b> 	<b>B02*</b>	Brass, 1/2 NPT	Copper	Copper with Bronze Braided Armor
	<b>B04**</b>	Stainless Steel, 1/2 NPT	Stainless Steel	Stainless Steel
<b>Plain Bulb</b> 	<b>B05*</b>	None	Copper	Copper with Bronze Braided Armor
	<b>B06</b>	None	Stainless Steel	Stainless Steel
<b>Teflon Covered Bulb</b> 	<b>B08*</b>	None	Copper with Teflon Covering	Copper with Teflon Covering
	<b>B07*</b>	None	Stainless Steel with Teflon Covering	Stainless Steel with Teflon Covering

\*Not available with Temperature Ranges over 400°F (200°C).

\*\*Ranges over 450°F (232°C), one-time adjustment only.

# Temperature Recorders

Standard Available Ranges / Minimum Insertion Lengths

## 24 Hour Duration Ranges

### Fahrenheit Ranges

Range Code	Range	Chart Number	Minimum Insertion Length (U/X)	
			Standard Bulbs	Teflon Covered Bulbs
500	-40° to 110°F	9040	5.1"	20.4"
515	-30° to 170°F	9024	5.5"	22.0"
520	-10° to 110°F	9050	9.2"	36.8"
530	0° to 120°F	9060	9.2"	36.8"
540	0° to 150°F	9070	7.5"	30.0"
550	0° to 200°F	9090	5.5"	22.0"
560	0° to 300°F	9140	4.0"	16.0"
570	0° to 400°F	9150	3.0"	12.0"
580	0° to 600°F	9170	1.8"	N/A
590	30° to 240°F	9120	5.5"	22.0"
600	40° to 100°F	9035	12.3"	N/A
610	50° to 175°F	9080	8.8"	35.2"
620	70° to 140°F	9085	15.5"	N/A
630	100° to -100F	9032R	4.0"	16.0"
640	100° to 350°F	9145	4.6"	N/A
650	100° to 600°F	9180	2.0"	N/A
660	110° to -40°F	9040R	5.1"	20.4"
665	150° to 750°F	9190	1.8"	N/A
670	100° to 220°F	9100	9.2"	36.8"
680	150° to 270°F	9135	9.2"	N/A
690	200° to 400°F	9146	5.5"	N/A
700	250° to 500°F	9160	4.6"	N/A

### Celsius Ranges

Range Code	Range	Chart Number	Minimum Insertion Length (U/X)	
			Standard Bulbs	Teflon Covered Bulbs
710	-40° to 110°C	9040	3.0"	12.0"
720	-35° to 75°C	9022	5.5"	22.0"
730	-10° to 110°C	9050	5.3"	21.2"
740	0° to 80°C	9030	7.7"	30.8"
750	0° to 115°C	9059	5.5"	22.0"
760	0° to 120°C	9060	5.3"	21.2"
770	0° to 150°C	9070	4.3"	N/A
780	0° to 200°C	9090	3.3"	N/A
790	0° to 300°C	9140	2.4"	N/A
800	0° to 400°C	9150	1.6"	N/A
810	30° to 240°C	9120	3.2"	N/A
820	40° to 100°C	9035	10.2"	N/A
830	50° to -10°C	9021R	10.2"	N/A
840	50° to 175°C	9080	5.1"	N/A
850	70° to 140°C	9085	8.8"	N/A
860	80° to 0°C	9030R	7.7"	30.8"
870	90° to 200°C	9099	5.5"	N/A
880	100° to 220°C	9100	5.5"	N/A
890	100° to 350°C	9145	2.3"	N/A
900	110° to -40°C	9040R	5.3"	21.2"
910	150° to 270°C	9135	5.3"	N/A

## 7 Day Duration Ranges

### Fahrenheit Ranges

Range Code	Range	Chart Number	Minimum Insertion Length (U/X)	
			Standard Bulbs	Teflon Covered Bulbs
100	-40° to 110°F	9040A	5.1"	20.4"
110	-30° to 170°F	9024A	5.5"	22.0"
120	-10° to 110°F	9050A	9.2"	36.8"
130	0° to 200°F	9090A	5.5"	22.0"
140	0° to 300°F	9140A	4.0"	16.0"
150	0° to 400°F	9150A	3.0"	12.0"
160	30° to 180°F	9082A	7.5"	30.0"
170	30° to 240°F	9120A	5.5"	22.0"
180	40° to 100°F	9035A	12.0"	N/A
190	110° to -10°F	9050RA	9.2"	20.0"
200	150° to 750°F	9190A	1.8"	N/A
210	200° to 400°F	9146A	5.5"	N/A

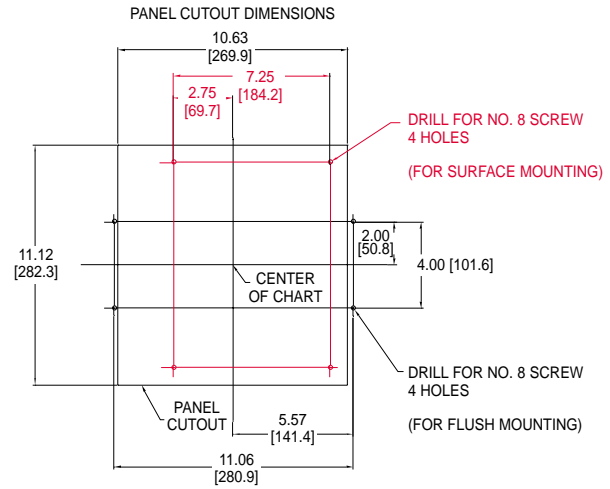
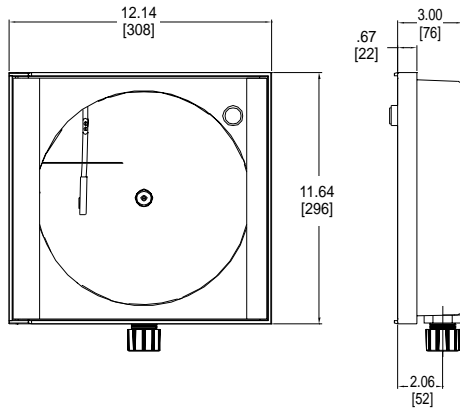
### Celsius Ranges

Range Code	Range	Chart Number	Minimum Insertion Length (U/X)	
			Standard Bulbs	Teflon Covered Bulbs
220	-40° to 110°C	9040A	3.0"	12.0"
230	-35° to 75°C	9022A	5.5"	22.0"
240	-10° to 110°C	9050A	5.3"	21.2"
250	0° to 80°C	9030A	7.7"	30.8"
260	0° to 115°C	9059A	5.5"	22.0"
270	0° to 200°C	9090A	3.3"	13.2"
280	0° to 300°C	9140A	2.4"	N/A
290	0° to 400°C	9150A	1.6"	N/A
300	30° to -10°C	9019RA	15.1"	N/A
310	30° to 180°C	9082A	4.3"	N/A
320	30° to 240°C	9120A	3.2"	N/A
330	40° to 100°C	9035A	10"	N/A
340	70° to -30°C	9023RA	6.3"	25.2"
350	80° to -40°C	9025RA	3.7"	14.8"
360	90° to 200°C	9099A	5.5"	N/A
370	110° to -10°C	9050RA	5.3"	21.2"

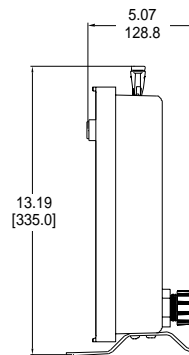
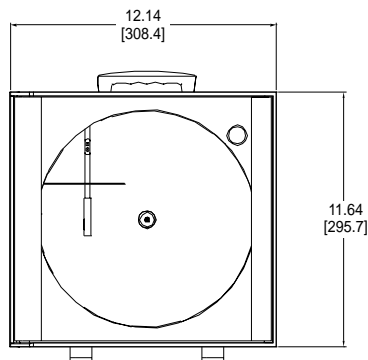
# Temperature Recorder L86000 Series

All dimensions are nominal.  
Dimensions in [ ] are in millimeters.

## L86000 Series



## L86456 Only



# Temperature Recorder

## Supplies and Replacement Parts

### Charts

Each Trerice Temperature Recorder is furnished standard with a box of 100 charts. Consult the Standard Available Range Table for a complete listing of replacement charts. Please order using the Chart Number listed.

### Pens

The disposable, snap-on pen provides up to 2,000 feet of recording. It will operate efficiently at an ambient temperature range of -10° to 130°F (-23° to 54°C). Colors include: red, green and black. Please consult the table below for pen availability.

Color	Lower Pen Item Number	Upper Pen Item Number*
Red	<b>108-0021</b>	N/A
Green	<b>108-0021.1</b>	<b>108-0024</b>
Black	<b>108-0021.2</b>	<b>108-0024.1</b>
Replacement Pen Arm	<b>004-0061</b>	

\*Upper pens supplied on two pen recorders only.

### Replacement Thermal Systems

In the event of damage or a change in the application requirements the existing thermal system can be removed and replaced in the field.

#### How to Order

Sample Order Number: L86000TS07600B0410  
L86000TS      07      600      B04      10

Model	Duration	Range Code	Thermal System	Capillary Length
<b>L86000TS</b>	<b>07</b> 7 Day	See Standard	See Available	<b>05</b> 5 Feet
		Available Ranges (Page 59)	Thermal Systems (Page 58)	<b>10</b> 10 Feet
	<b>24</b> 24 Hour	<b>15</b> 15 Feet		
		<b>20</b> 20 Feet		
		<b>25</b> 25 Feet		
		<b>30</b> 30 Feet		
		<b>35</b> 35 Feet		
		<b>40</b> 40 Feet		
		<b>45</b> 45 Feet		
		<b>50</b> 50 Feet		

### Chart Drives

Replacement chart drives are available in the following configurations. Please order using the item number listed.

Electrical Specifications					
Duration	120 Vac/ 60Hz	120 Vac/ 50Hz	240 Vac/ 60Hz	240 Vac/ 50Hz	Spring Wound
24 Hour	<b>194-0002.01A</b>	<b>194-0002.05A</b>	N/A	<b>194-0002.13A</b>	<b>038-0009.1</b>
7 Day	<b>194-0002.03A</b>	<b>194-0002.07A</b>	<b>194-0002.11A</b>	<b>194-0002.15A</b>	<b>038-0009.1A</b>
Replacement Chart Hub (electric drive only)			<b>103-0122A</b>		