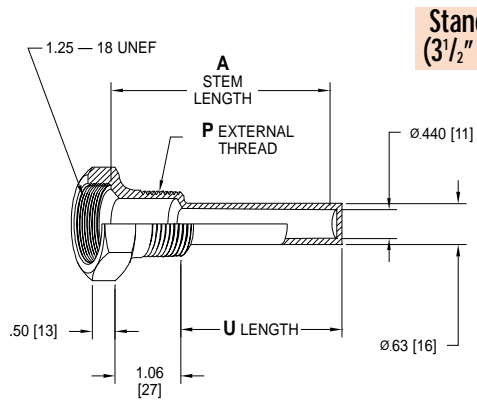
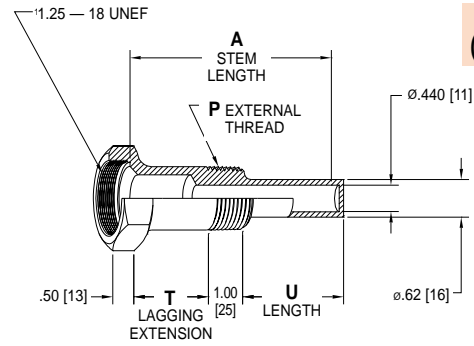


# Industrial Thermowells

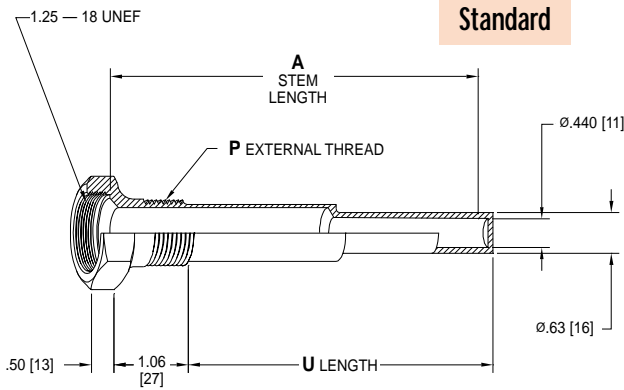
All dimensions are nominal.  
Dimensions in [ ] are in millimeters.



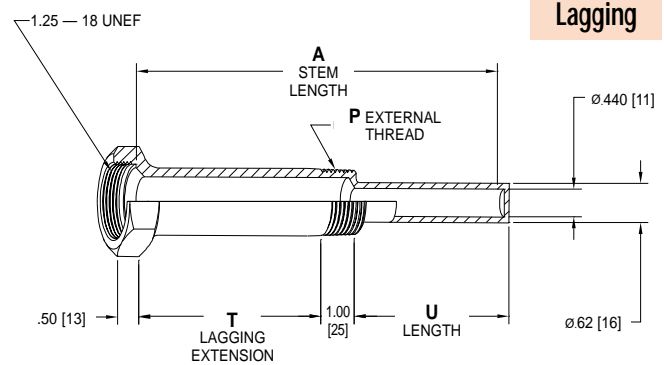
**Standard**  
(3 1/2" only)



**Lagging**  
(3 1/2" only)



**Standard**



**Lagging**

## Lengths

Stem Length	Standard Thermowell		Lagging Extension Thermowell	
	U Length	U Length	T Lagging	U Length
3 1/2"	2.50 [64]	2.50 [64]	1.00 [25]	1.50 [38]
6"	4.50 [114]	4.50 [114]	2.00 [51]	2.50 [64]
8"	7.50 [191]	7.50 [191]	3.00 [76]	4.50 [114]
12"	10.50 [267]	10.50 [267]	3.00 [76]	7.50 [191]

## Pressure Rating (psi)

Material	Operating Temperature					
	70°F	200°F	400°F	600°F	800°F	1000°F
Brass	640	575	100	—	—	—
Carbon Steel	720	690	660	630	480	210
304 Stainless Steel	940	850	770	740	720	625
316 Stainless Steel	940	940	875	850	840	700
Monel	900	825	740	730	710	210

Alternative materials and accessories are also available. Please consult the Options and Accessories Section for details.

Selection of the proper thermowell is the sole responsibility of the user. Temperature and pressure limitations must be considered. Improper application may cause failure of the thermowell, resulting in possible personal injury or property damage.

## How to Order

Sample Order Number: 3-4F2

Thermowell Style	External Thread (P)	Stem Length	Lagging Extension (T)	Material
3 Industrial	3 1/2 NPT 4 3/4 NPT 5 1 NPT	F 3 1/2" Stem J 6" Stem L 8" Stem R 12" Stem	A 1" Extension (3 1/2" Stem only) D 2 1/2" Extension (6" and longer Stem only) Omit if None	2 Brass 3 Steel 4 Monel 5 304SS 6 316SS