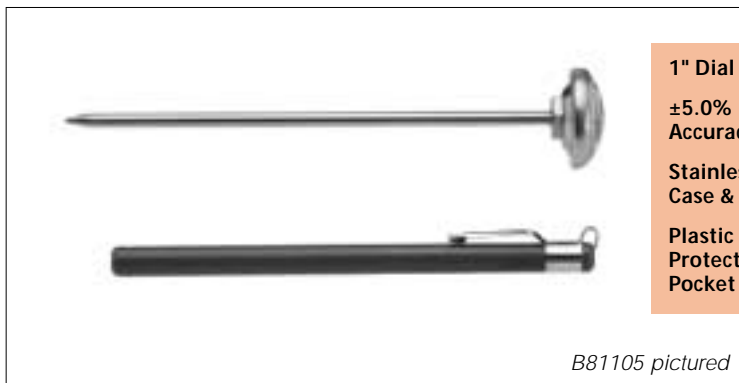


Pocket Bimetal Thermometer



1" Dial Size
±5.0% Accuracy
Stainless Steel Case & Stem
Plastic Stem Protector with Pocket Clip

B81105 pictured

The Trerice Pocket Bimetal Thermometer is designed to deliver temperature indications for general and informal testing purposes. This thermometer has a hermetically sealed stainless steel case with a plain connection and comes complete with a plastic stem protector with pocket clip.

For correct use and application of all bimetallic thermometers, please refer to Bimetallic Actuated Thermometer Standard ASME B40.3.

Specifications

Model B81100 Size 1" Case 300 stainless steel, hermetically sealed	Stem 300 stainless steel, 9/64" diameter Coil Bimetallic Connection Rear, unthreaded	Window Acrylic Pointer Black finished Dialface White background with black graduations and markings	External Reset Yes Accuracy ±5.0% Full Scale ASME B40.3 Grade C Approximate Shipping Weight 0.1 lbs [0.05 kg]
--	--	---	---

How to Order

Sample Order Number B8110515

B811 05 15

Model	Stem Length	Range Code	
B811	05 5" Stem	11	-20° to 120°F (20° Figure Intervals / 2° Minor Divisions)
		13	0° to 220°F (20° Figure Intervals / 2° Minor Divisions)
		15	50° to 500°F (50° Figure Intervals / 5° Minor Divisions)
		18	0° to 120°C (10° Figure Intervals / 1° Minor Divisions)
		20	0° to 250°C (50° Figure Intervals / 2° Minor Divisions)

Dimension

