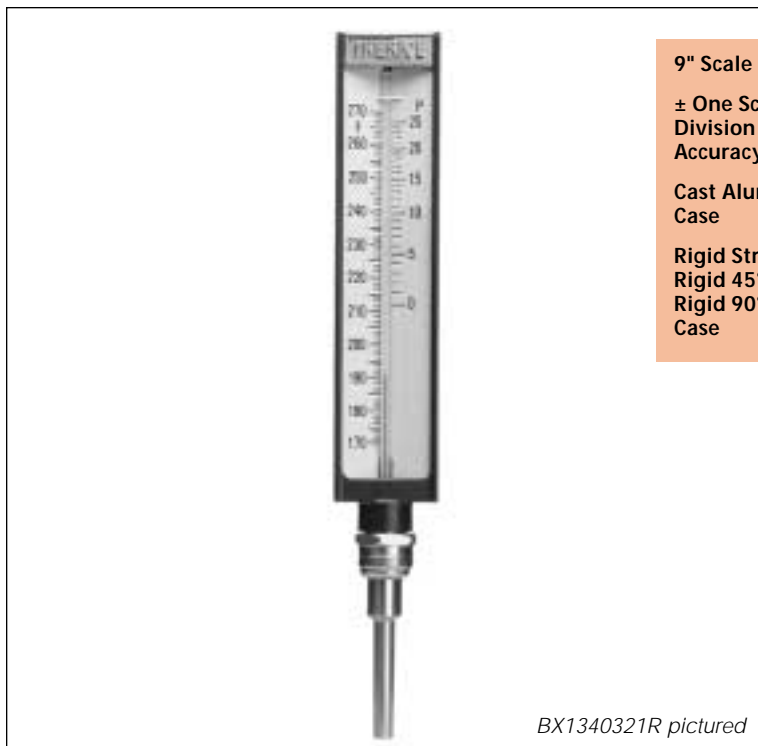


Retort Industrial Thermometer



BX1340321R pictured

9" Scale

± One Scale
Division
Accuracy

Cast Aluminum
Case

Rigid Straight,
Rigid 45° Angle,
Rigid 90° Angle
Case

The Trerice Retort Industrial Thermometer is the instrument of choice within the food processing and canning industries. The scale is configured to indicate the temperature and corresponding pressure of steam. This thermometer is furnished with a rigid, stainless steel stem, in straight or angle forms, and features a 9" scale and rugged cast aluminum case.

Optional features are also available. Please consult the Options Section for details.

This thermometer includes a one-piece stainless steel stem and is designed to be directly installed using a union connection bushing; therefore, use of a thermowell is not required.

Specifications

Models BX1 (Rigid Straight) BX2 (Rigid 90° Angle) BX5 (Rigid 45° Angle)	Stem One-piece, 304 stainless steel	Tube Lens front, red appearing mercury	Accuracy ±1 scale division
Scale Size 9"	Process Connection 1 1/4-18 UNEF-2A coupling nut (A union connection bushing is required for installation; please consult the Options and Accessories section.)	Scale Aluminum, white background with black graduations and markings	Approximate Shipping Weight BX1: 1.4 lbs [0.64 kg] BX2: 1.3 lbs [0.59 kg] BX5: 1.4 lbs [0.64 kg]
Case Cast aluminum, blue epoxy finished	Window Ranges under 300°F: Acrylic Ranges over 300°F: Glass	Top Plate Stainless steel	

How to Order

Sample Order Number BX13403R21

BX1

3

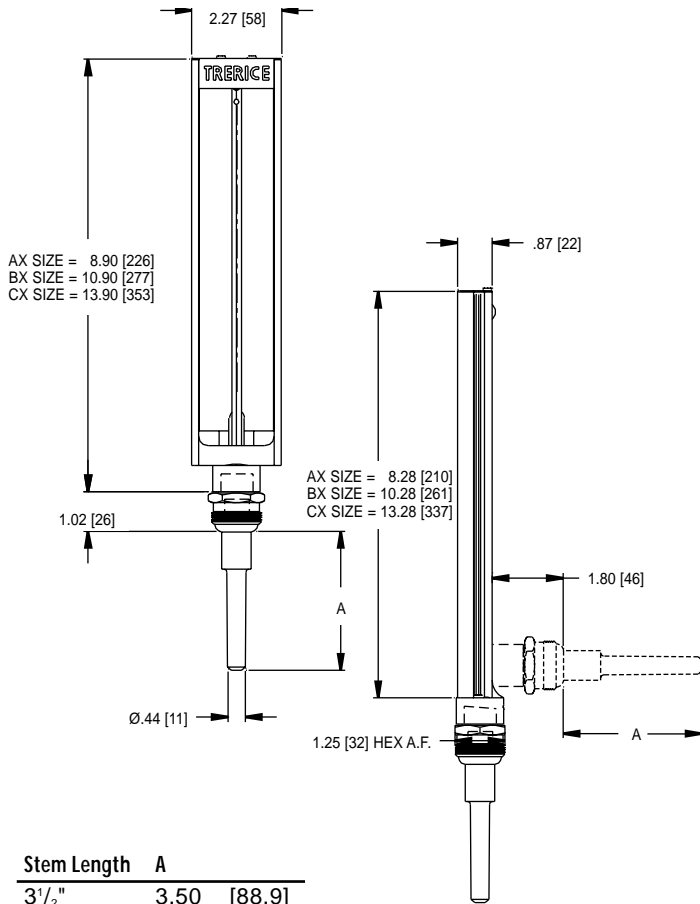
403

R21

Model	Stem Material	Stem Length	Specific Range
BX1 9" Straight	3 304 SS	403 3 1/2"	See Standard Available Ranges
BX2 9" 90° Angle			
BX5 9" 45° Angle			

Retort Industrial Thermometer

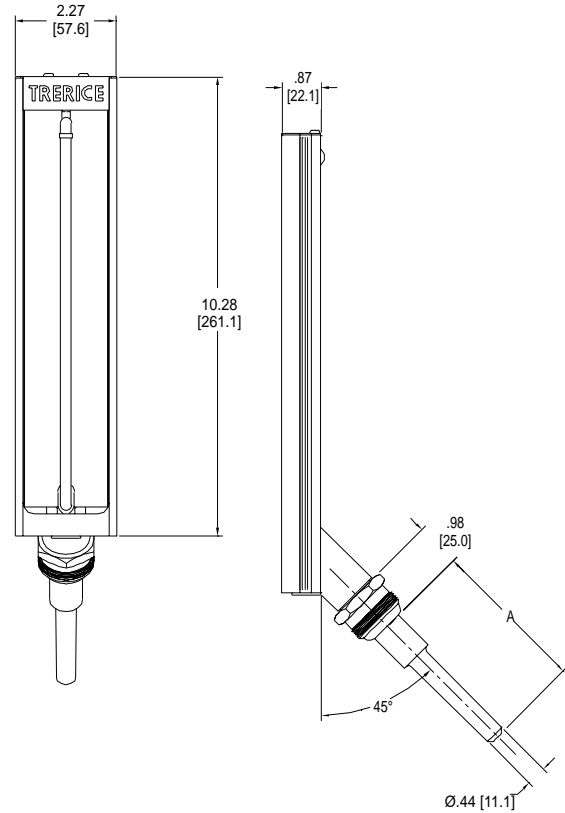
Rigid Straight/Rigid 90° Angle



Stem Length	A
3 1/2"	3.50 [88.9]
6"	6.00 [152.4]
8"	8.00 [203.2]
12"	12.00 [304.8]

All dimensions are nominal.
Dimensions in [] are in millimeters.

Rigid 45° Angle



Standard Available Ranges

Fahrenheit & psi Ranges		Fahrenheit		psi	
Range Code	Range	Figure Intervals	Minor Divisions	Figure Intervals	Minor Divisions
R21	170° to 270°F & 0 to 25 psi	10°F	1°F	5 psi	1 psi
R22	200° to 400°F & 0 to 220 psi	20°F	2°F	Progressive*	
Fahrenheit & Celsius Ranges		Fahrenheit		Celsius	
Range Code	Range	Figure Intervals	Minor Divisions	Figure Intervals	Minor Divisions
R24	170° to 270°F & 80° to 130°C	5°F	1°F	5°C	1°C
R23	200° to 400°F & 95° to 205°C	10°F	2°F	5°C	1°C
Celsius & kg/cm ² Ranges		Celsius		kg/cm ²	
Range Code	Range	Figure Intervals	Minor Divisions	Figure Intervals	Minor Divisions
R45	80° to 135°C & 0 to 2.1 kg/cm ²	5°C	0.5°C	0.5 kg/cm ²	0.1 kg/cm ²

*Progressive scale: 0 to 120 psi (20 psi intervals), 120 to 180 psi (30 psi intervals), 180 to 220 psi (40 psi interval).